



(51) International Patent Classification:

C04B 40/00 (2006.01) C04B 14/06 (2006.01)

G05D 11/13 (2006.01) B28C 7/02 (2006.01)

(21) International Application Number:

PCT/IB2023/052047

(22) International Filing Date:

05 March 2023 (05.03.2023)

(25) Filing Language:

English

(26) Publication Language:

English

(30) Priority Data:

140050140003009476

06 March 2022 (06.03.2022) IR

(72) Inventors; and

(71) Applicants: JAMALPOUR NAJMABAD, Reza [IR/IR];

P 417, Bahar, Shahid Beheshti Street, Karaj, Alborz Province, Karaj, 3153844336 (IR). AKHAVAN, Mahdi [IR/IR]; No 2, P 8, 12 East Gohardasht, Alborz, Iran, Alborz, 3148989768 (IR). JAMALPOUR NAJMABAD, Amir

Hossein [IR/IR]; P 417, Bahar, Shahid Beheshti Street, Karaj, Alborz Province, Karaj, 3153844336 (IR).

(81) Designated States (unless otherwise indicated, for every

kind of national protection available): AE, AG, AL, AM, AO, AT, AU, AZ, BA, BB, BG, BH, BN, BR, BW, BY, BZ, CA, CH, CL, CN, CO, CR, CU, CV, CZ, DE, DJ, DK, DM, DO, DZ, EC, EE, EG, ES, FI, GB, GD, GE, GH, GM, GT, HN, HR, HU, ID, IL, IN, IQ, IR, IS, IT, JM, JO, JP, KE, KG, KH, KN, KP, KR, KW, KZ, LA, LC, LK, LR, LS, LU, LY, MA, MD, MG, MK, MN, MW, MX, MY, MZ, NA, NG, NI, NO, NZ, OM, PA, PE, PG, PH, PL, PT, QA, RO, RS, RU, RW, SA, SC, SD, SE, SG, SK, SL, ST, SV, SY, TH, TJ, TM, TN, TR, TT, TZ, UA, UG, US, UZ, VC, VN, WS, ZA, ZM, ZW.

(84) Designated States (unless otherwise indicated, for every

kind of regional protection available): ARIPO (BW, CV, GH, GM, KE, LR, LS, MW, MZ, NA, RW, SD, SL, ST, SZ, TZ, UG, ZM, ZW), Eurasian (AM, AZ, BY, KG, KZ, RU, TJ, TM), European (AL, AT, BE, BG, CH, CY, CZ, DE, DK, EE, ES, FI, FR, GB, GR, HR, HU, IE, IS, IT, LT, LU, LV, MC, ME, MK, MT, NL, NO, PL, PT, RO, RS, SE, SI,

(54) Title: CONCRETE MIX DESIGN SYSTEM FOR CONSTRUCTION PLANTS

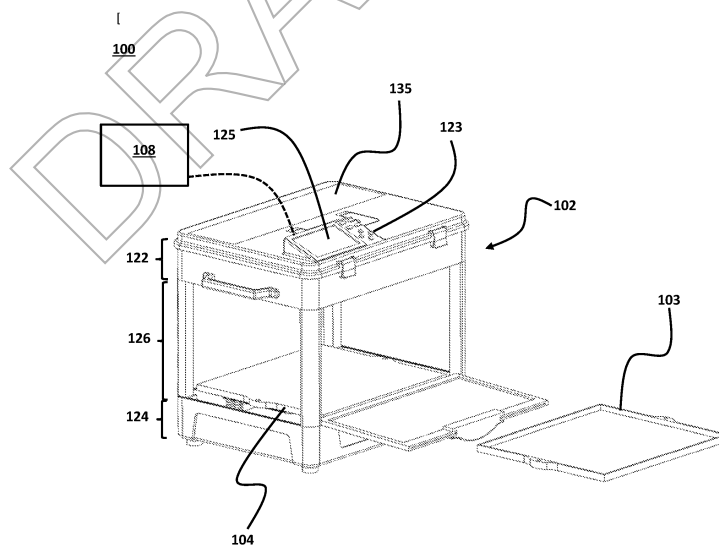


Figure 1A

(57) Abstract: This written application is for a concrete mix design system in construction plants that provides a standard method of mixing the materials to achieve a mixed gradation (e.g., a mix of sand and gravel). It also estimates and presents the required amount of cement and water based on available standards and plant for the user to prepare the mix design and produce standard concrete.



WO MISSING A1



SK, SM, TR), OAPI (BF, BJ, CF, CG, CI, CM, GA, GN,
GQ, GW, KM, ML, MR, NE, SN, TD, TG).

Published:

- *with international search report (Art. 21(3))*
- *in black and white; the international application as filed contained color or greyscale and is available for download from PATENTSCOPE*

DRAFT

[
100

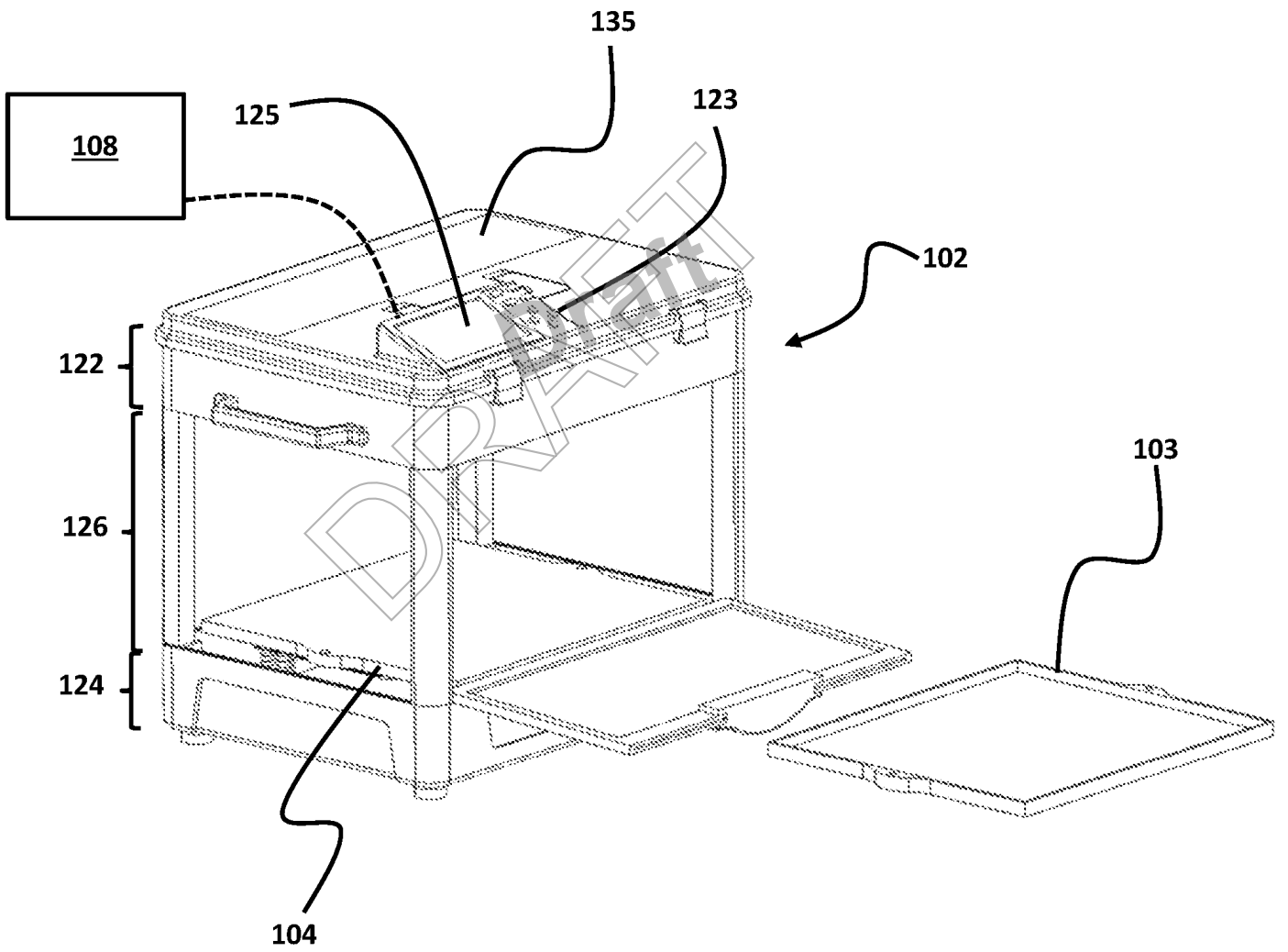


Figure 1A

[
100

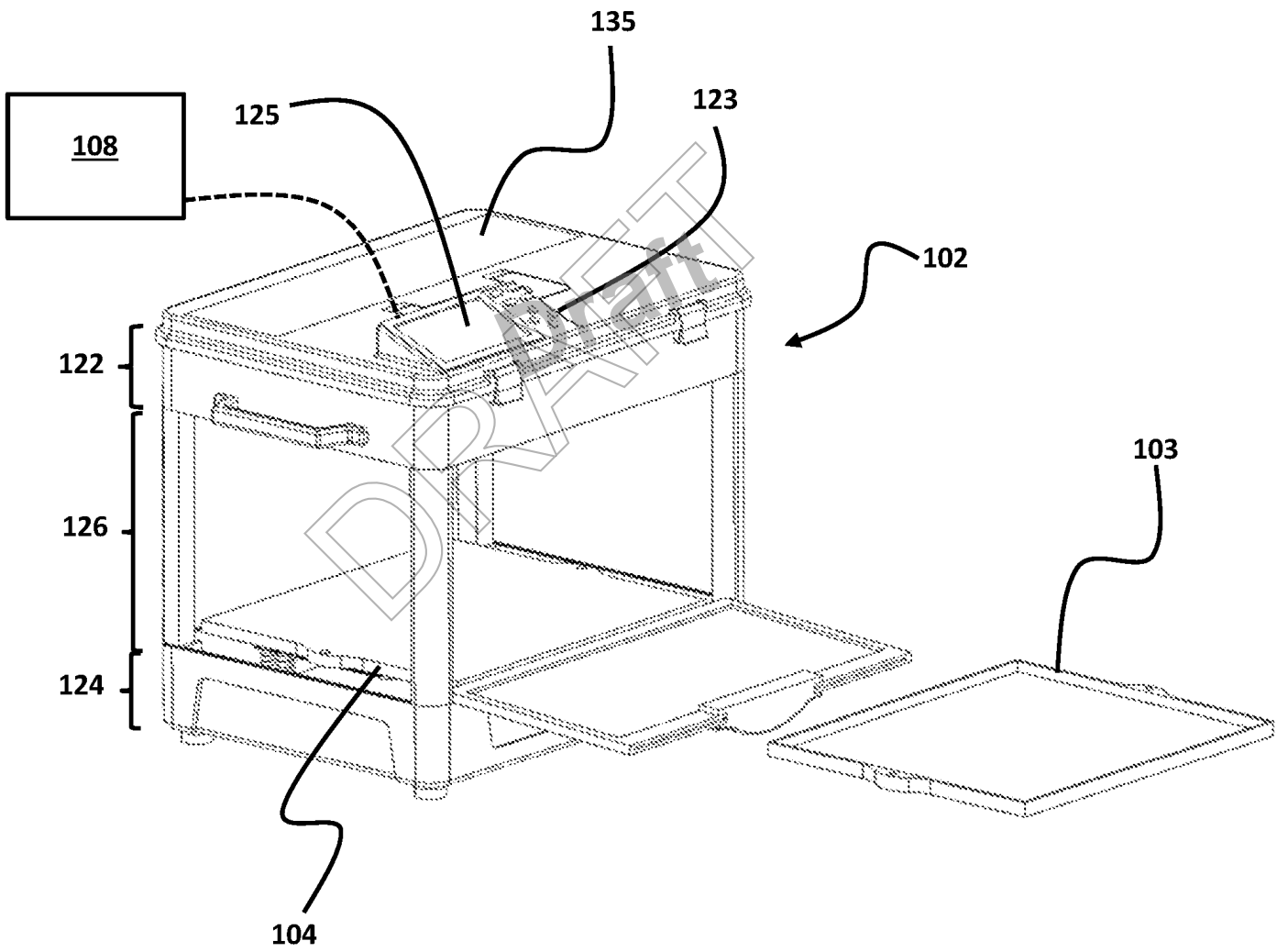


Figure 1A